

WHEN TO CHANGE THE CARTRIDGE

Average cartridge life expectancy is one year for a four person family. There are many factors which affect actual usage of the active ingredient and visual inspection is not practicable. Therefore, a 12 monthly cartridge change is essential to ensure optimum operation.

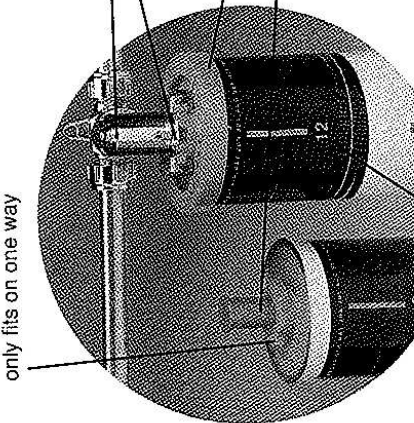
A cartridge change indicator ring is supplied with the unit and it should be set to the same month in which the unit is installed. Aqua-Dial also offer a free annual reminder system. Please telephone us if you wish to register.

CHANGING THE CARTRIDGE

Follow steps 1 - 12 in order

- 1 Turn off the water and drain the pipe down.
- 2 Place a bowl under the unit to prevent any water spillage.

Note: The bayonet only fits on one way



Cartridge Life code
12 months

- 8 Place the indicator ring over the new cartridge and dial it to the month of installation.
- 9 Insert the new cartridge into the bayonet fitting and turn it a quarter turn to the right.
- 10 Re-tighten the locking screw (4)
- 11 Re-tighten pressure relief screw (3).
- 12 Turn on water and test for any leaks.

Cartridge Replacement is now complete